

# 142

## Soft Serve Freezer

Single Flavor, Taylormate®

### Features

Offer all the popular soft serve variations from low or non-fat ice creams to custards, yogurt and sorbet.

#### Freezing Cylinder

One, 1.5 quart (1.4 liter).

#### Mix Hopper

One, 8 quart (7.6 liter). Refrigerated to maintain mix below 41°F (5°C) in Auto and Standby modes.

#### Indicator Lights

The Mix Low light alerts the operator to add mix.

#### Automatic Temperature Control

Precise temperature control automatically maintains high quality soft serve products.

#### Standby

During long no-use periods, the standby feature maintains safe product temperatures in the mix hopper and freezing cylinder.

#### Merchandising

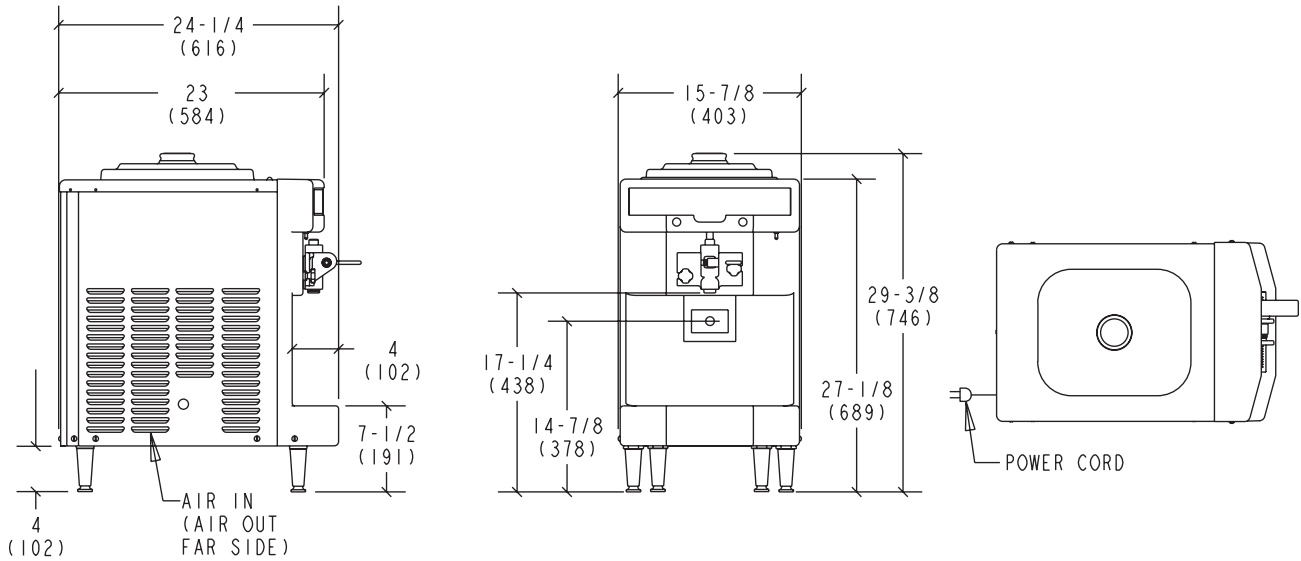
Yogurt and Soft Serve magnetic decals with a set of 16 flavor pads.



Standard 6

LISTED  
SA2650Selected 50  
Hz. Models

# 142 Soft Serve Freezer



TOP VIEW - OPERATOR END  
ALL CONNECTIONS LOCATED UNDERSIDE OF BASE

NOTE:  
FIGURES IN PARENTHESES  
INDICATE MILLIMETERS.

Weights	lbs.	kgs.
Net	180	81.8
Crated	209	94.9
	cu. ft.	cu. m.
Volume	10.7	.30

Dimensions	in.	mm.
Width	15-7/8	403
Depth	24-1/4	616
Height	29-3/8	746
Counter Clearance	4	102

\*Mounted on standard legs

Electrical	Total Amps	Supplied with NEMA Cord
115/60/1 Air	15.0	5-20P
208-230/60/1 Air	9.4	6-15P
220-240/50/1 Air	9.1	----

*This unit may be manufactured in other electrical characteristics. Refer to the local Taylor Distributor for availability.  
(For exact electrical information, always refer to the data label of the unit.)*

### Bidding Specs

Electrical: Volt \_\_\_\_\_ Hz \_\_\_\_\_ ph \_\_\_\_\_  
Neutral:  Yes  No    Cooling:  Air  Water  NA

Options: \_\_\_\_\_  
\_\_\_\_\_

## Specifications

### Electrical

One dedicated electrical connection is required. See the Electrical chart for the proper electrical requirements. Manufactured to be cord connected. Consult the international Taylor distributor for cord & receptacle specifications for 50 Hz. equipment.

### Beater Motor

One, 0.5 HP.

### Refrigeration System

One, 3,000 BTU/hr. R404A.  
(BTUs may vary depending on compressor used.)

### Air Cooled

Minimum 6" (152 mm) on both sides. Install the skirt provided on the right side of the unit and place the back of the unit against a wall to prevent recirculation of warm air. Minimum air clearances must be met to assure adequate air flow for optimum performance.

## Options

- Cone Dispenser

Continuing research results in steady improvements; therefore, these specifications are subject to change without notice.



**Taylor Company,**  
A Division of Carrier Commercial Refrigeration, Inc.  
Rockton, Illinois 61072  
815-624-8333 800-255-0626 Fax 815-624-8000  
www.taylor-company.com

Printed in U.S.A.  
039977-ADV 9/08