

C716

Soft Serve Freezer

Twist, Pump, Heat Treatment



Integrated Syrup Rail Option

2 room temperature with lids & ladles, 2 heated with syrup pumps



Simplified Pump

Features

Offer all the popular soft serve variations from low to non-fat ice creams or yogurt. Serve two separate soft serve flavors, or an equal combination of both in a twist.

Heat Treatment System

Provides a daily heating and cooling cycle to safely maintain dairy products up to two weeks before a complete disassembly and cleaning is required.

Freezing Cylinder

Two, 3.4 quart (3.2 liter).

Mix Hopper

Two, 20 quart (18.9 liter). Refrigerated to maintain mix below 41°F (5°C) in Auto and Standby modes.

Indicator Lights

Digital readout displays hours since last brush cleaning to assure product safety. Mix Low light alerts operator to add mix. Audible alarm may be enabled to sound when mix is low. When the Mix Out light flashes, the unit shuts down automatically to prevent damage.

Touch Screen Controls

Microprocessor touch controls are embedded in durable tempered glass panel. Multiple languages are selectable. Viscosity is continually measured to dispense consistent quality soft serve desserts. Temperatures in the hoppers or freezing cylinders may be displayed at any point of operation, in either Fahrenheit or Celsius. Draw counter allows operator to view number of servings dispensed.

Standby

During long no-use periods, the standby feature maintains safe product temperatures in the mix hopper and freezing cylinder.

Two Locking Casters

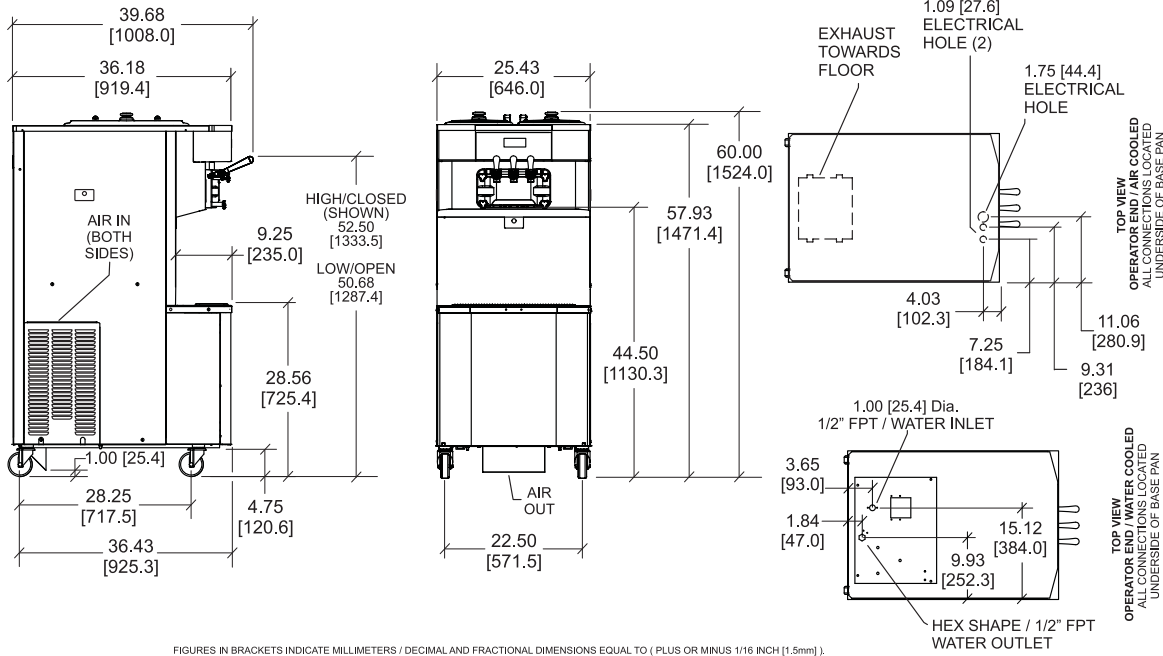
Front casters have a locking feature for operators to keep equipment in place. The lock can be released to move the equipment for cleaning.

Door Interlock System

Protects the operator from injury as the beater will not operate without the dispensing door in place.

Freezer Door

A specially designed thermo-plastic door allows quick ejection of product with a simple movement of the draw handle. Self closing draw handles are standard.



FIGURES IN BRACKETS INDICATE MILLIMETERS / DECIMAL AND FRACTIONAL DIMENSIONS EQUAL TO (PLUS OR MINUS 1/16 INCH [1.5mm]).

| Weights | lbs. | kgs. |
|-----------------|---------|--------|
| Net | 827 | 375.1 |
| Crated | 942 | 427.3 |
| Volume | cu. ft. | cu. m. |
| | 67.4 | 1.91 |
| Dimensions | in. | mm. |
| Width | 25-7/16 | 646 |
| Depth | 36-3/16 | 919 |
| Height | 60 | 1524 |
| Floor Clearance | 4-3/4 | 121 |

*Mounted on standard casters.

| Electrical | Maximum Fuse Size | | Minimum Circuit Ampacity | | Poles (P) Wires (W) |
|-------------------------|-------------------|-------|--------------------------|-------|---------------------|
| | Left | Right | Left | Right | |
| 208-230/60/1 Air | 35 | 35 | 28 | 25 | 2P 3W |
| 208-230/60/1 Air, Syrup | 40 | 35 | 29 | 25 | 2P 3W |
| 208-230/60/1 Water | 35 | 35 | 25 | 25 | 2P 3W |
| 208-230/60/3 Air | 25 | 20 | 20 | 17 | 3P 4W |
| 208-230/60/3 Air, Syrup | 25 | 20 | 21 | 17 | 3P 4W |
| 220-240/50/1 Air | 30 | 25 | 24 | 21 | 2P 3W |
| 380-415/50/3N~ Air | 15 | 12 | 12 | 9 | 4P 5W |

This unit may be manufactured in other electrical characteristics and may have additional regulatory agency approvals. Consult the local Taylor Distributor for other electrical characteristics and agency approvals based on specific electrical and country requirements.

(For exact electrical information and approval marks, always refer to the data label of the unit.)

Continuing research results in steady improvements; therefore, these specifications are subject to change without notice.

Bidding Specs

Electrical: Volt _____ Hz _____ ph _____
 Neutral: Yes No Cooling: Air Water NA

Options: _____

Authorized Taylor Distributor

Specifications

Electrical

Two dedicated electrical connections are required. See the Electrical chart for the proper electrical requirements. Manufactured to be permanently connected. Consult your local Taylor distributor for cord & receptacle specifications as local codes allow.

Beater Motor

Two, 1.5 HP.

Refrigeration System

Two, 9,500 BTU/hr. R404A.
 (BTUs may vary depending on compressor used.)

Air Cooled

Minimum 3" (76 mm) around all sides. Install the deflector provided to prevent recirculation of warm air. Minimum air clearances must be met to assure adequate air flow for optimum performance.

Water Cooled

Water inlet and drain connections under side of base 1/2" FPT.

Options

- Cone Dispenser
- Drain Adaptor (for ease of rinsing & cleaning)
- Draw Valve Lock Kit
- Faucet
- Hopper Locks
- Panel Spinner
- Syrup Rail (Integrated)
- Syrup Rail Kit (side mount)



750 N. Blackhawk Blvd.
 Rockton, Illinois 61072
www.taylor-company.com